

HORIZONTAL ROLLER INSTALLATION INSTRUCTIONS

NOTE: Read instructions completely before attempting any installation.

These instructions are provided as a general guide in the installation of CGI windows. Applicable approval documents should be used in conjunction with these instructions. Only experienced installers familiar with these or similar products should attempt to install these units. Incorrect installations could void warranty. Contact CGI technical support at 305.593.6590(Miami) or tf 800.442.9042.

HARDWARE AND TOOLS REQUIRED:

- PPE (safety glasses, ear protection, gloves, etc.)
- Tape Measure/Level
- Shims (up to a 1/4")
- Drill with bits (Impact drill if necessary)
- Anchors/screws as described in approval documents
- Caulking gun
- Sealant

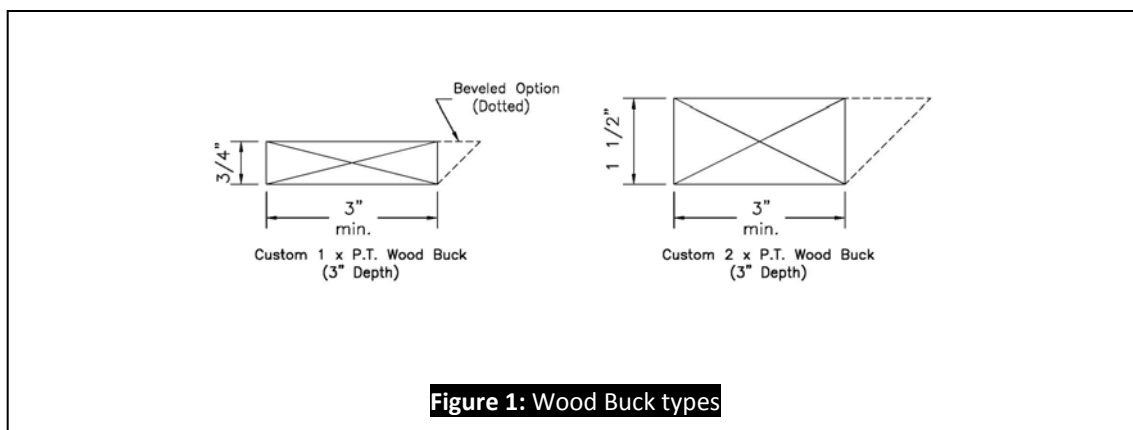
NOTICES:

If installing CGI products into renovated buildings, be aware that older paints may contain lead. For more information on the specific building or structure and the proper and safe handling requirements, please contact your local authorities or visit www.epa.gov/lead.

CGI reminds you to recycle whenever possible and recycle responsibly. To properly dispose or recycle products being removed, please contact your local authorities.

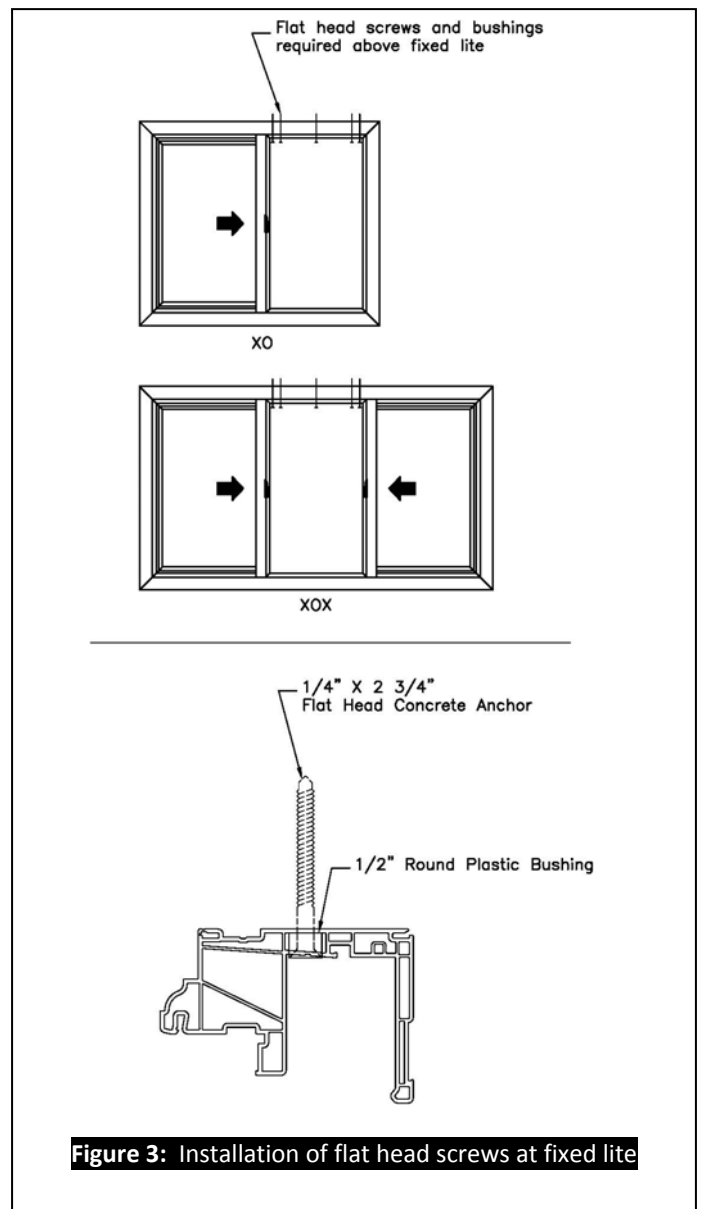
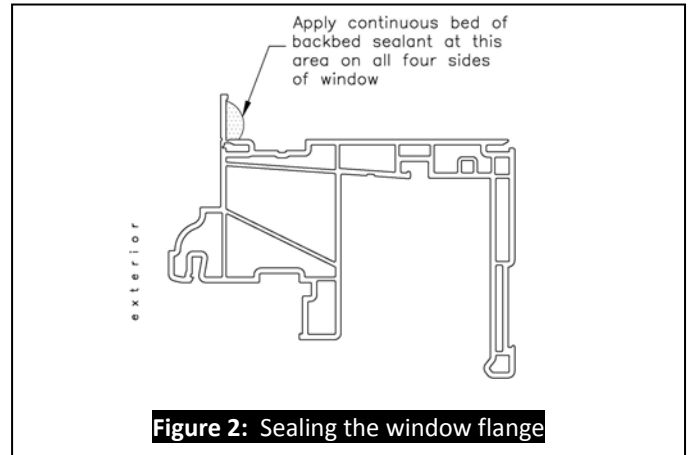
WOOD BUCK INSTALLATION INTO MASONRY OPENINGS FOR FLANGE WINDOWS

1. Make sure that masonry opening (or rough opening on stud construction) is made to within tolerance, level and plumb. Verify by measuring at each end and every 24" (vertically and horizontally). Make any corrections required to openings. Bucks must be set on a smooth and flat surface. Remove or chip away any concrete, which protrudes from the face of the opening prior to setting bucks. Make sure ends of masonry opening are square and not rounded at corners. Chip concrete if necessary.
2. Select the size of Pressure Treated wood buck to be used (see figure 1 or refer to approval documents for approved bucks) and decide how far from the face of the wall the bucks are going to be set. Most contractors like to set the wood bucks in about 1" to 2" from the exterior face of the 8" concrete walls when installing windows.
3. Set wood bucks in a continuous heavy bed of professional grade sealant. Make sure sealant is applied at ends where bucks touch one another. Run a continuous bead of sealant on exterior side of bucks between concrete and wood, after installing bucks.
4. Make sure wood bucks are installed continuous and on all four sides of the opening. Wood bucks must touch one another at ends.
5. Install wood bucks level and plumb in all directions. Verify that opening is square. Do not follow the walls, as many times they tend to be leaning in or out.
6. **Wood bucks must be secured to the structure, independently of the window.**



INSTALLATION INSTRUCTIONS FOR FLANGE OR EQUAL LEG (FLUSH) FRAME WINDOWS

1. Check window opening for correct size. If the opening is incorrect, have it fixed. Never attempt to force a window into a small opening or install a window into an oversized opening.
2. If wood bucks are being used, make sure they are of the correct size and type for the installation method being used (see figures 4 and 5 - Installations Types A and B). Verify that wood bucks are plumb, level and square. Note that Installation Type C (Equal/Flush Leg) does not require a wood buck.
3. If installing flange windows, clean window flange and apply a generous amount of professional grade sealant / caulking material to flange at full perimeter (figure 2). Make sure the sealant is compatible and will adhere to vinyl and wood. If installing equal leg frames (figure 6), the perimeter sealant is applied after window is installed.
4. Stand window upright and open as needed to be able to lift window. Once the window is properly opened, install window from the outside on to the opening. If flange frame is being used, the backbed sealant should seep out as it gets compressed.
5. Temporarily secure window frame using installation screws as selected from the approval documents for your specific application (see figures 4 – 6). To simplify the pre-installation process, you may want to use a smaller temporary screw such as a #12 Sheet Metal Screw and only penetrate the wood. Shim every installation screw snugly (shim space should not exceed 1/4"). Temporarily secure the window with one screw at each end of jamb member (top & bottom). Make sure window operates correctly and is plumb, level and square. **Caution: Any window, which is forced into an opening and racked or twisted, can eventually cause glass breakage.**
6. Once the window is correctly set, finish installing with the proper installation screws. A longer drive extension may be necessary to avoid contact with vinyl and impact wrench/screw gun. If temporary #12 screws were used, replace those with the correct screws. Every hole must have a screw and every screw must have a shim.
7. Typical installation screws along the frame are hex head screws; however, the frame head above the fixed lite requires bushings and flat head installation screws (figure 3). The plastic bushings are provided by CGI and will fit into predrilled clearance holes. Install flat head screws into the bushing to keep the frame head flush for removal and installation of the sash. Adjustment of impact wrench/screw gun may be necessary in order to prevent breakage vinyl wall.

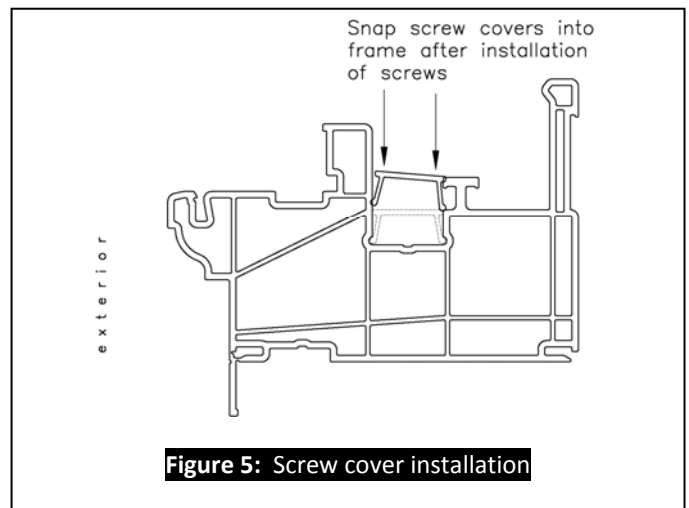
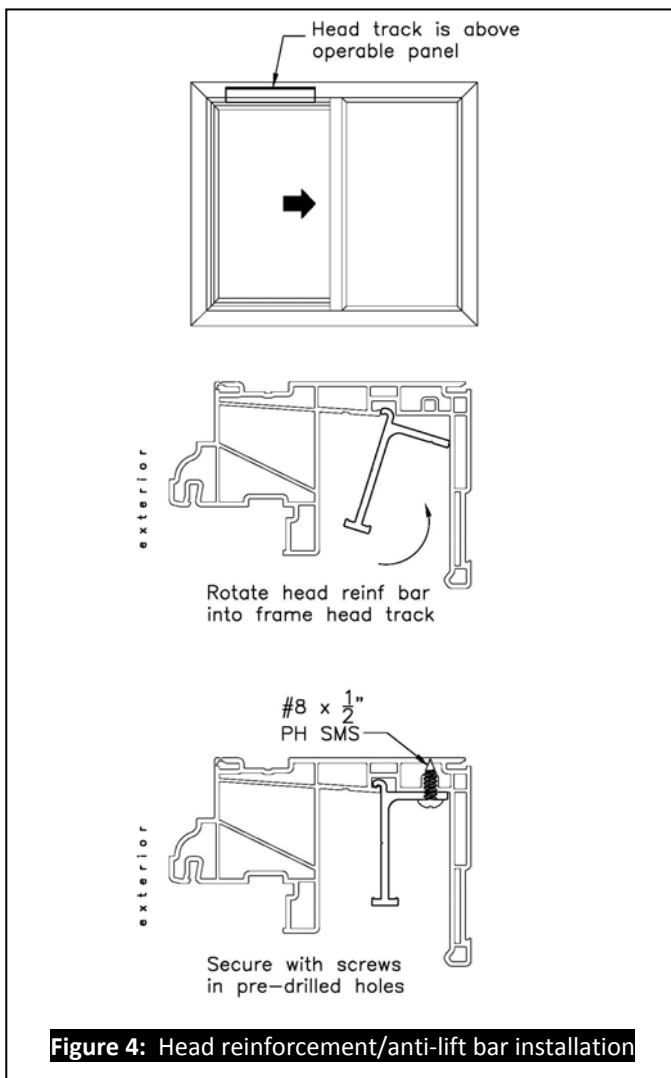


8. After the frame has been secured to the structure with the proper screws, slide the operable panel completely open to access the frame head above. A head reinforcement/anti-lift bar will fit directly over the glass of the operable window in the closed position (figure 4). The end of the bar will measure approximately 2" away from the t-track of the jamb. Rotate the bar into the pocket as shown in figure 4 and secure in the predrilled holes with #8 x 1/2" pan head SMS. Slide the vent back into the closed position; the bar should not interfere with the operation of the vent.
9. On flange windows, make sure there is no daylight between wood buck and window flange. If any exists or as a precautionary step, apply additional sealant from the outside at this joint. If installing equal leg (flush) frames, initial perimeter sealant can be applied at this point.
10. Perform a last check of the window operation. If the window is not opening properly, make sure the heads of the jamb installation screws are tight against the vinyl and not sticking out. Also, make sure there is no

debris along the frame where the sash slides. Check that the head reinforcement/anti-lift bar is properly installed. Lastly, make sure the frame members are not bowed/twisted and preventing the sash from closing.

11. Interior screw covers are provided for each window to cover installation screws. For flange and equal leg windows, these covers will be shipped loose. In order to clearly see the installation screws, installation of screw covers may need to be delayed until job is inspected; consult your building inspector prior to installation. Once inspected, covers can be installed. Place the covers in the frame and apply enough force to snap covers into frame (figure 5). Repeat with all frame sides.

INSTALLATION HINT: If the window does not close properly and evenly, then re-check plumbness, level and squareness. Also make sure that the head and sill are not bowed at the center and the frame members are not twisted.



Pressure Treated Wood Buck Options

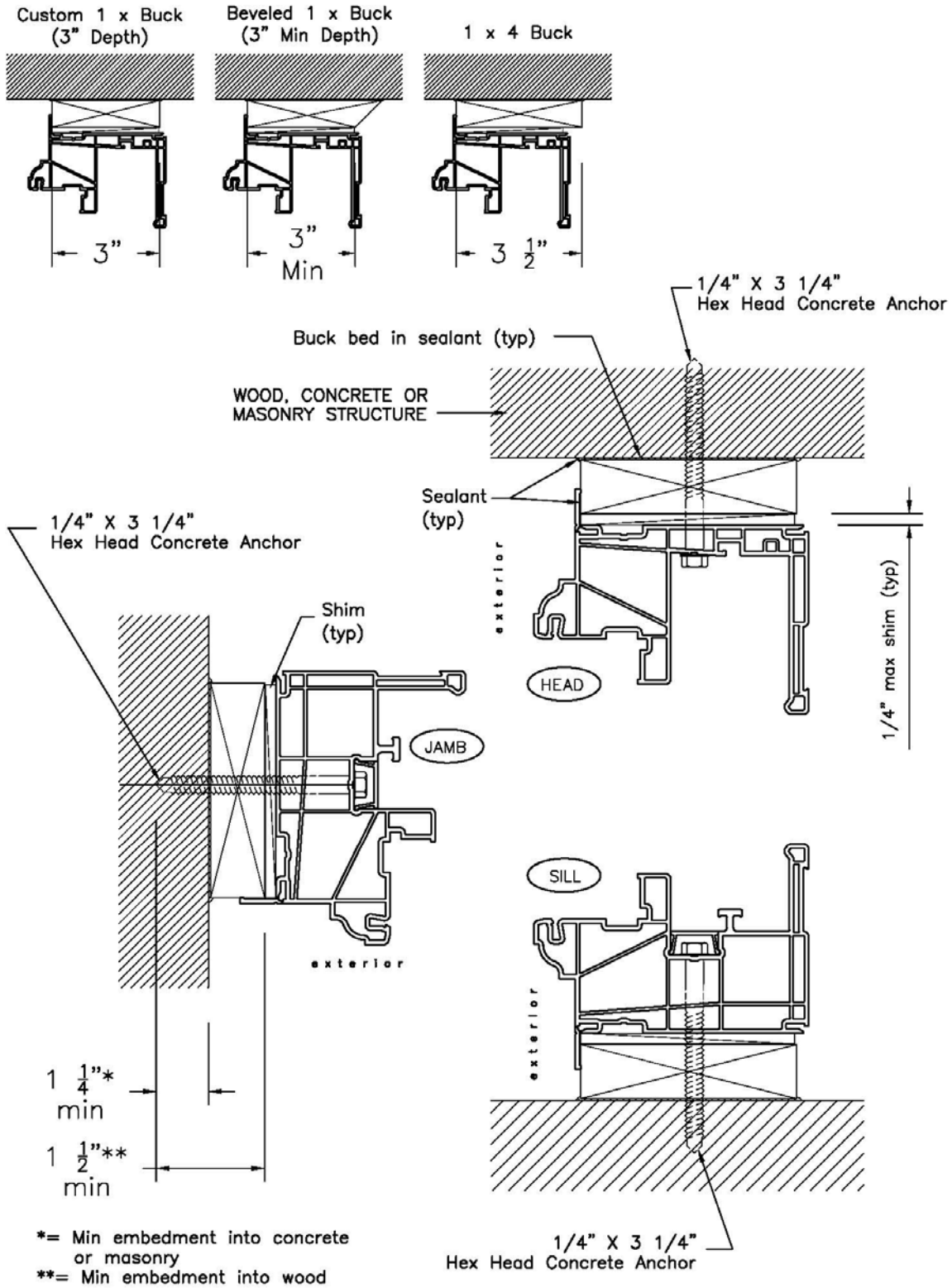


Figure 6: Installation type "A" using 1 x bucks

Pressure Treated Wood Buck Options

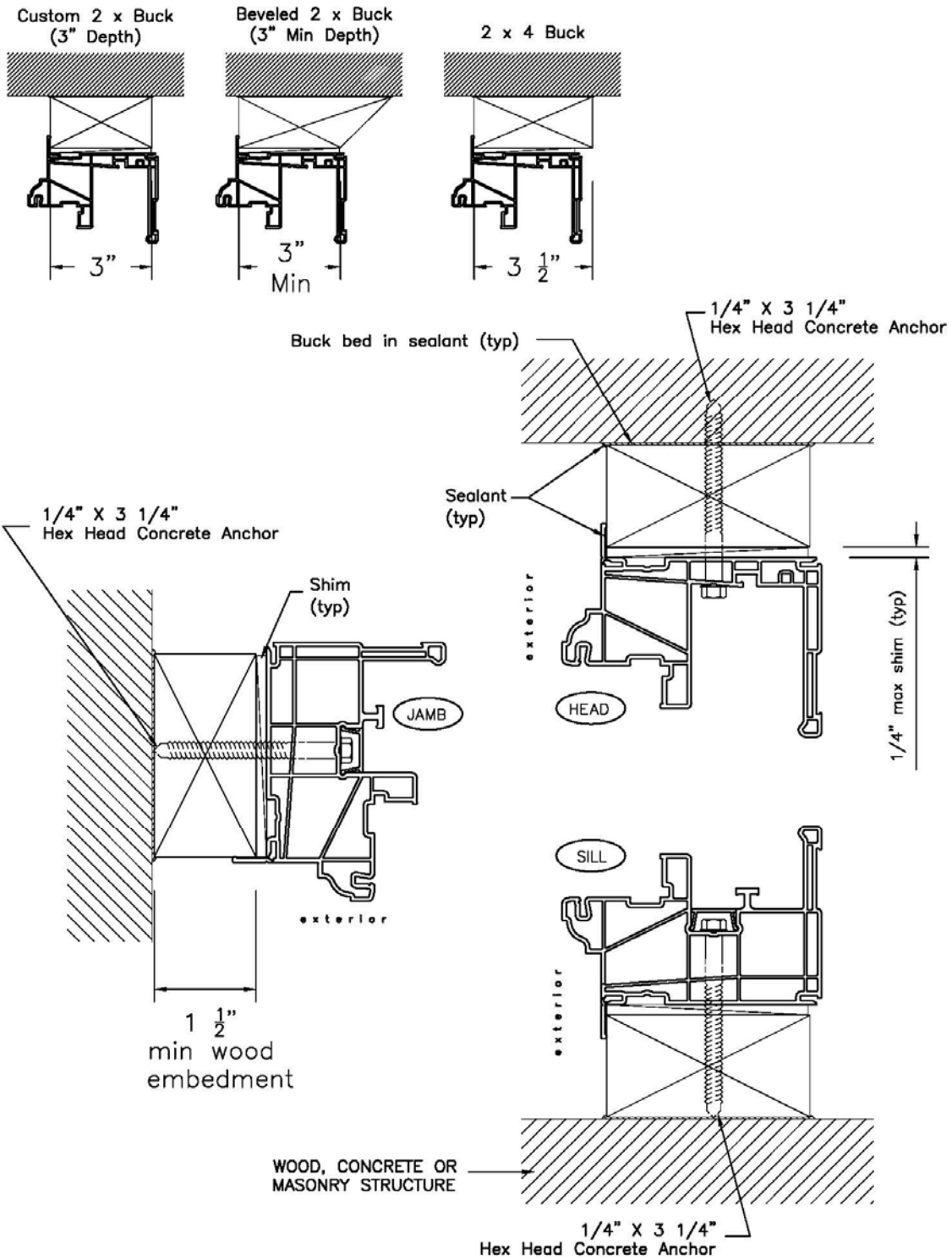
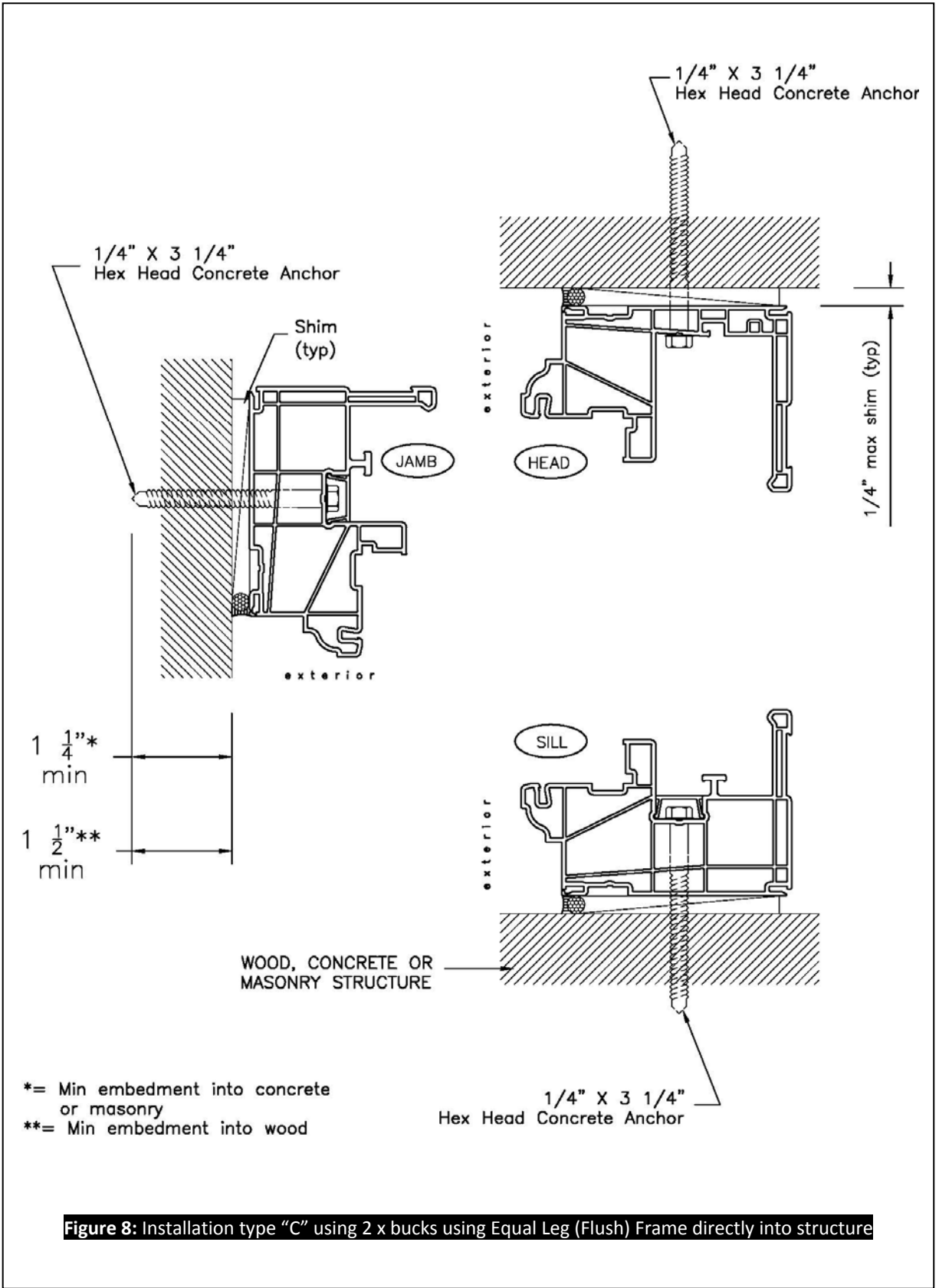


Figure 7: Installation type "B" using 2 x bucks



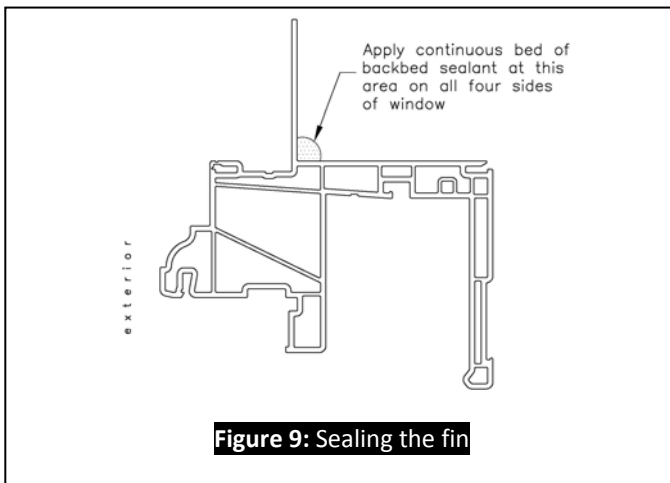
INSTALLATION INSTRUCTIONS FOR FIN FRAME WINDOWS

1. Check window opening for correct size. If the opening is incorrect, have it fixed. Never attempt to force a window into a small opening or install a window into an oversized opening.
2. Verify that opening is correctly prepared. Using a self adhering flexible flashing as part of the opening preparation is recommended. For more specific details on fin frame opening preparation, reference FMA/AAMA 100.
3. Stand window upright and open as needed to be able to lift window. Once the window is properly opened, add a generous amount of backbed sealant (minimum 3/8" bead) to the backside of the fin (figure 9). This seal is CRITICAL, especially at the sill area. Add this sealant to the head, sill and jambs. Install window from the outside into wood opening.
4. The fin has pre-punched slotted holes for installation screws (slotted holes allow for expansion and contraction of house structure). Note that there are more screw holes than necessary on the fins, so refer to approval documents to see where installation screws will be required.
5. Secure window using installation screws as selected from the approval documents for your specific application (see figure 10). Shim window to main structure at every installation screw location (shim space should not exceed 1/4"). You can secure the window with a few screws at first to make sure

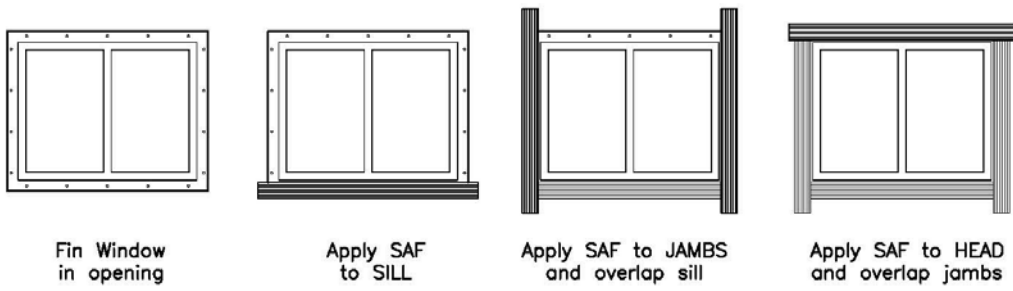
window operates correctly and is plumb, level and square. **Caution: Any window, which is forced into an opening and racked or twisted, can eventually cause glass breakage.**

6. Once the window is correctly set, finish installing with the rest of the installation screws. If in doubt, use more screws rather than less.
7. After completely setting window, a self adhering flashing (SAF) which is a flexible water proofing film/membrane must be applied to the window fins. Begin by placing the film across the sill fin always extending the film on to the house wall. Next, place film on the jamb fins, overlapping the sill film at the bottom. Finally, place film across the head fin, overlapping the jamb film on each side. This technique/sequence of working from the sill up is critical in weather sealing the window.
8. Perform a last check of the window operation. Make sure there is no debris along the frame where the sash slides. Lastly, make sure the frame members are not bowed/twisted and preventing sash from closing.

INSTALLATION HINT: If the window does not close properly and evenly, then re-check plumbness, level and squareness. Also make sure that the head and sill is not bowed at the center and the frame members are not twisted.



Installation Sequence for SAF



SAF = Self Adhering Flashing
 It is a flexible waterproofing film/membrane that usually comes in rolls and seals watertight.

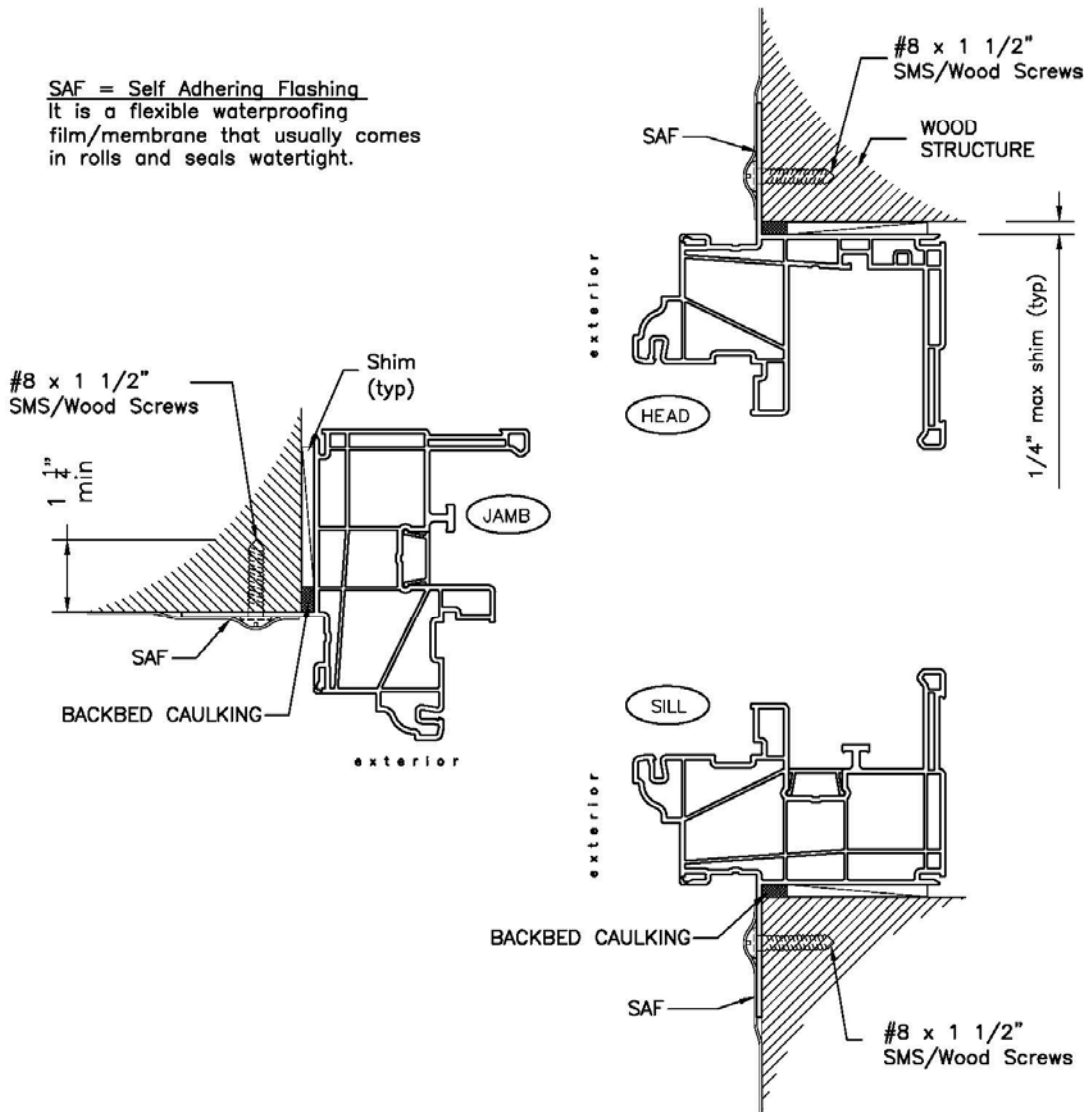


Figure 10: Installation type "D" using Fin Frame